



QUBELOK

MODULAR SYSTEM

A close-up, perspective view of a Qubelok modular system. It shows a silver-colored aluminum extrusion with a brushed finish, joined to a black extrusion. The assembly is set against a teal background. In the bottom left corner, there is a dark grey background with a white geometric pattern of interlocking hexagons.

**THE QUBELOK SYSTEM LETS
YOU DESIGN AND CREATE FURNITURE,
STORAGE AND DISPLAY ITEMS.**

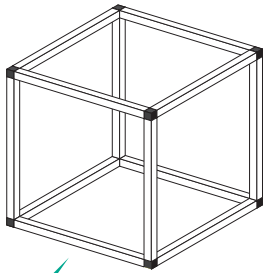
The clean lines of Qubelok extrusion, combined with strong yet lightweight material provides many solutions for your custom fabrication work. Available in a range of decorator colours and accessories, the only limit will be your imagination.

WHAT IS QUBELOK?

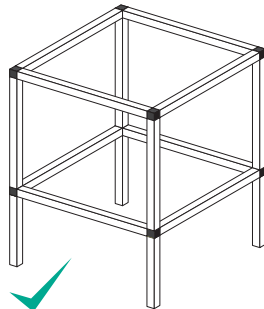
Qubelok is a light fabrication system of square hollow aluminium tubes and accessories including connectors, castors and end caps. Qubelok's lipped tubing also allows you to insert timber, particle board, glass or perspex for shelving or surface tops. It is perfect for creating lightweight projects such as bookshelves, frames, storage and display units, stands, planter boxes, greenhouses, even animal pens...if you can think of it, you can build anything.

SHAPE EXAMPLES

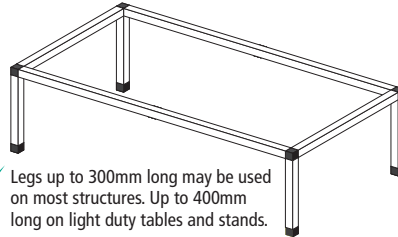
Versatile, solid geometric combinations are possible. Shapes like those ticked below are the strongest. Connecting shapes make for the strongest units.



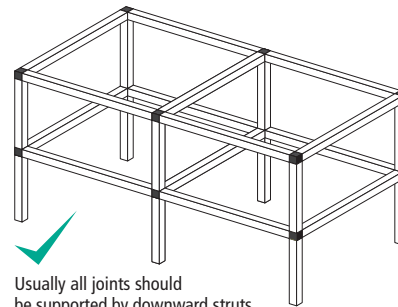
✓ Cube shapes are very strong.



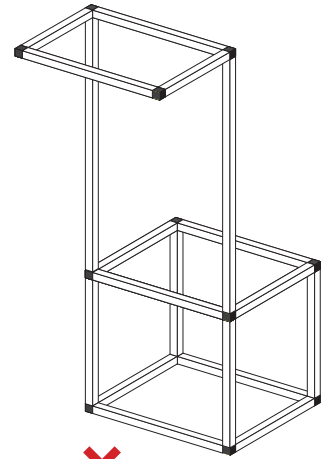
✓ Longer legs need a stiffening cross member.



✓ Legs up to 300mm long may be used on most structures. Up to 400mm long on light duty tables and stands.



✓ Usually all joints should be supported by downward struts.



✗ There should be no unsupported horizontals (cantilevers).

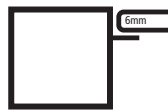
SHELVING

Qubelok lipped tubing (ET7200) is also available, which allows you to inset timber or glass shelving to suit your needs. Flip the tubing over to create a low or high set lip for a flush finish.



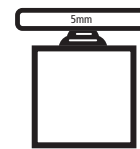
TIMBER

Shelves or table tops of 17mm timber or particle board fit neatly on the low set lip support.



GLASS

When fitting glass or perspex, turn the lipped tubing over to set the lip height to 6mm.



BUMPONS

It is possible to support glass when using Bump-ons to cushion the glass.

ACCESSORIES AND CONNECTORS

ACCESSORIES

- BUMPONS:** Small rubber buttons that sit on the tubing to cushion inset glass tops.
- CASTORS:** Fit precisely and securely into tubing to make items easy to move around.
- END CAP:** Finish off legs and prevent scuffing on tile, carpet or timber flooring.

CONNECTORS

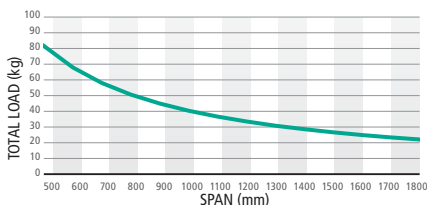
Choose from seven different UV stabilised Qubelok connectors to create any number of combinations, for a range of design possibilities.



DESIGNING

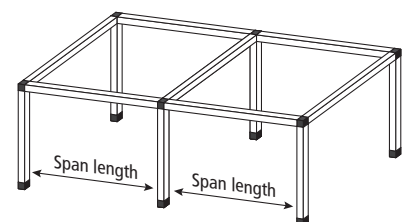
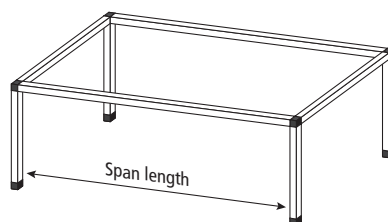
SPAN LOADS

The graph below shows generally acceptable loads on maximum supported spans.



SPAN

To increase the strength of your design, simply add another vertical support.



NOTE: The maximum loads indicated in the graph above are based on a central point load on a simply supported beam and utilise a maximum stress level of 110Mpa. You should consult a suitably qualified person for its application to the particular circumstances. For example, deflection of the Qubelok extrusion has not been taken into account.

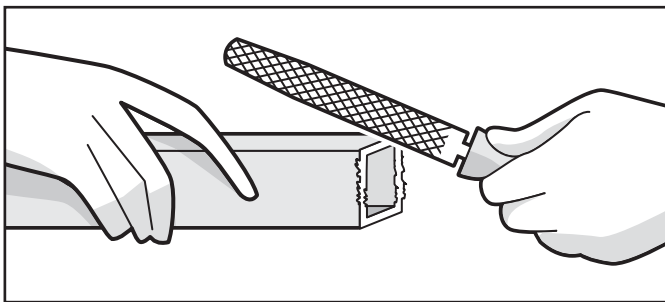
BUILDING A QUBELOK SYSTEM

Qubelok is not a heavy duty industrial system; it is essentially just for domestic, office and retail use. Below is some general information to help you put a system together, with handy tips to consider. You should consult a suitably qualified person for its application to the particular circumstances. As a general rule, the longer the span between connectors, the lighter the load should be, refer to the span loads and lengths for generally acceptable limits.

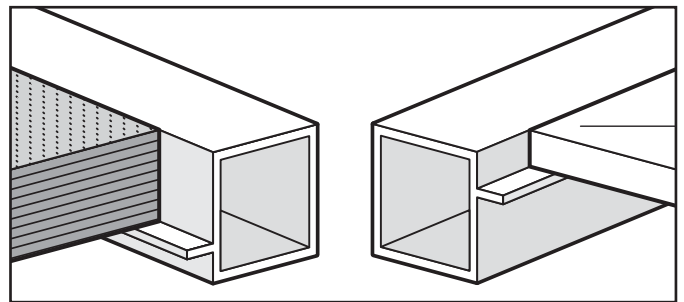
PUTTING IT TOGETHER

For a neater, professional finish, always cut aluminium tubing when it is clamped, held in a vice or by using a mitre box. Use a hacksaw or a coping saw to cut.

- 1 Mark and cut aluminium tubing to length, making sure you follow your sketch.
- 2 Lay out the components on the floor in a rough plan of the finished project, checking that you have all the components required. Follow your sketch drawings and try to visualise the unit in its finished form.
- 3 Ensure that the inside of the cut ends are clean and free of burrs. Usually a pen knife or file will do the job. Be careful of cuts from sharp edges.
- 4 Join the connectors and tubing to make all the vertical lengths first, stand the lengths beside each other to check that all the connectors are positioned correctly.
- 5 Make one side of the frame by joining the horizontals to the completed verticals.
Often horizontals will be shelf support lengths (lipped section ET7200), so make sure the lip is positioned correctly. High for glass or perspex and low for timber. See diagram below right.
- 6 Repeat the process for the other side of the frame, checking as you go to match connectors and shelf support tips.
- 7 Join the completed front and rear sides together until shelf sizes have been checked. Leave a little space for easy insertion of shelves.
- 8 When you are sure that the shelving will fit precisely, tap the frames firmly and evenly together and fit shelving.



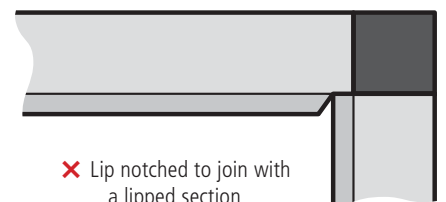
Use a pen knife or file to clean sawed edges of burrs



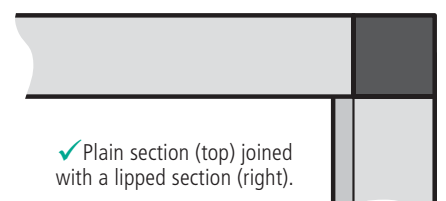
Qubelok lipped tubing positions

HANDY HINTS

- Apply adhesive directly to the inside of the tube ends. A continuous, thin ribbon of glue around the four side edges is best. An adhesive such as Selleys Urethane Bond or equivalent is recommended.
- Make sure that all connectors are positioned correctly prior to gluing and tapping into place.
- To avoid damage, use a rubber mallet or plastic hammer.
- Corners: By using the lipped section (ET7200) on two opposite sides and the plain sections on the other sides, the need to "notch" the support lip is removed (see diagram on right).
- When using castors it is usually easier to leave these until last.
- To prevent tube ends from scuffing against floor surfaces use end caps.



✗ Lip notched to join with a lipped section



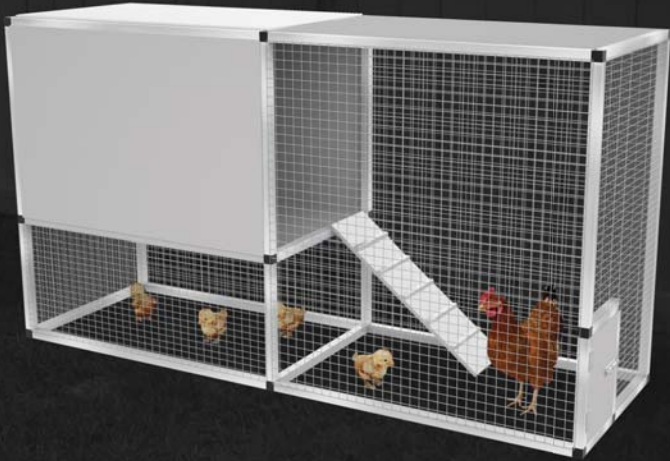
✓ Plain section (top) joined with a lipped section (right).

QUBELOK COMPONENTS

MATERIAL	DIAGRAM	BASIC MATERIAL	SECTION NO.	ALLOY	TEMPER	LENGTH (mm)	COATING DESCRIPTION	PAINT PERIMETER	ANODISE PERIMETER	NSW	VIC	QLD	NORTH QLD	SA	WA	TAS	NT
811556		Qubelok 25.4x25.4 7.5mm Receptor	EN9673	6060	T5	6000	Mill Finish	114	143	■	■						
954283		Qubelok 25.4x25.4 One Leg	ET7200	6060	T5	6500	15um T25 Black	114	114	■							
861816		Qubelok 25.4x25.4 One Leg	ET7200	6060	T5	6500	15um Clear	114	114		■	■	■		■		
808021		Qubelok 25.4x25.4 One Leg	ET7200	6060	T5	6500	Mill Finish	114	114	■		■	■		■		■
954282		Qubelok 25.4x25.4x1.2 RAD	EH4487	6060	T5	6500	15um T25 Black	100	100	■	■	■	■	■			
964027		Qubelok 25.4x25.4x1.2 RAD	EH4487	6060	T5	6500	Bright Silver GN150A	100	100			■			■		
807906		Qubelok 25.4x25.4x1.2 RAD	EH4487	6060	T5	6500	Mill Finish	100	100	■	■	■	■	■	■	■	■
861601		Qubelok 25.4x25.4x1.2 RAD	EH4487	6060	T5	6500	15um Clear	100	100	■	■	■	■		■		
861948		Qubelok 25.4x25.4x1.2 RAD	EH4487	6060	T5	6500	Pearl White Gloss GA078A	100	100	■		■	■				
302401		Adjustable Foot					Black			■							
302303		Inserts into MNTC006 (Pk=100)					Black			■							
302198		Endcap 50 SQ Nylon (Pk=100)					Black			■							
308811		Insert Square Suits 50.8x50.8x2.0-3.2					Black						■	■			
300333		Qubelok 2 Leg P20 Connector BK					Black			■	■	■	■	■	■	■	■
300334		Qubelok 3 Leg P30 Connector BK					Black			■	■	■	■	■	■	■	■
300335		Qubelok 3 Leg P31 Connector BK					Black			■	■	■	■	■	■	■	■
300336		Qubelok 4 Leg P40 Connector BK					Black			■	■	■	■	■	■	■	■
300337		Qubelok 4 Leg P41 Connector BK					Black			■	■	■	■	■	■		
300338		Qubelok 5 Leg P50 Connector BK					Black			■	■	■	■	■	■	■	■
300339		Qubelok 6 Leg P60 Connector BK					Black			■	■	■	■	■			
300341		Qubelok Castor P13 Colour BK					Black			■	■	■	■	■			
300342		Qubelok Castor Socket P15 BK					Black			■	■	■	■	■			
300340		Qubelok Endcap 25sq Plastic BK					Black			■	■	■	■	■	■	■	■
301504		Black Plastic					Black						■				
301553		Black Plastic					Black						■				

WHAT CAN YOU CREATE WITH QUBELOK?

You can make just about anything that requires square joining and framing. Anyone can put together the Qubelok system. All you need is the square aluminium tubing, connectors and your toolkit of hacksaw, file for smoothing rough edges and a tube of adhesive. The ideas illustrated on this page are just a guide to the many useful things you can custom-make with just a little imagination.



Animal pens



Work benches

Work vehicle storage



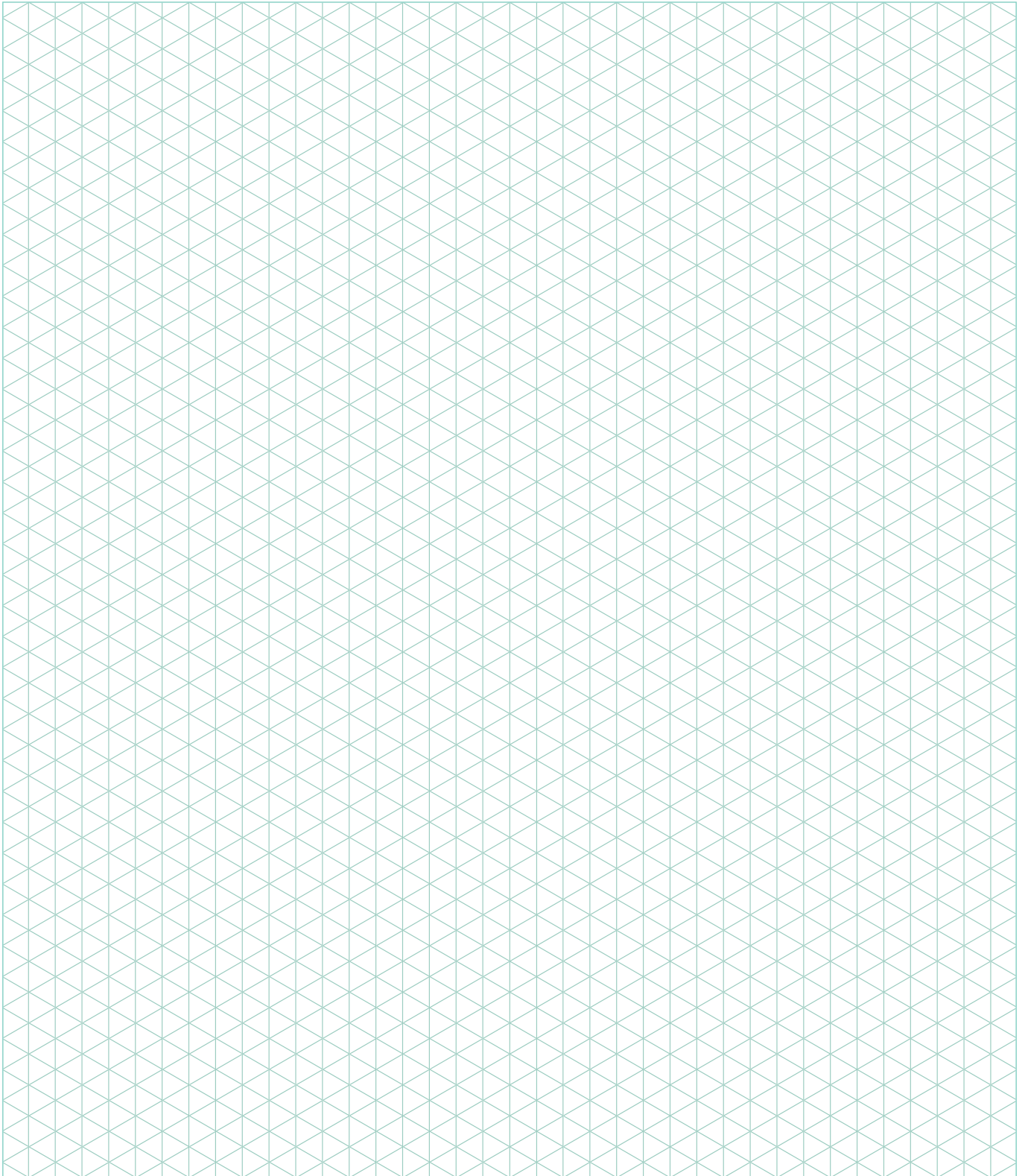
- Ute Tray Camper frames
- Caravan storage
- Frames for signage
- Toolboxes
- Storage boxes
- Protective cages for vehicles
- Drawer systems
- Greenhouses
- Aviaries
- Tanks for reptiles
- Side tables
- Coffee tables
- ...and lots more.



Shop display units



Storage solutions



1800 ALUMINIUM (258 646)
www.capral.com.au