

DE-HPS FOR ALL GROWERS!



Designed for Grow Rooms, Not Greenhouses!

THE HELLION HAS LANDED!

The brand-new Hellion 600/750W DE-HPS Lighting System from Adjust-A-Wings is here!

After years of research and development, the **Hellion** represents everything we know about high intensity grow light solutions and has been engineered specifically for growing and flowering heat-sensitive crops.

This revolutionary, state-of-the-art lighting system outputs more photons, delivers higher system efficiency and requires fewer lamp replacements than other DE-HPS fixtures.



A REVOLUTIONARY NEW DE-HPS GROW LIGHT

The **Hellion** is a complete, integrated indoor plant lighting solution—designed with logic, efficiency, usability and common sense in mind rather than brute force, compromise and waste!

DE-HPS technology represents a massive improvement in terms of raw lamp efficiency—but its potential has scarcely been realised in *greenhouse style* fixtures which have to be positioned high above the plants to allow space for the concentrated radiant heat emissions to dissipate.

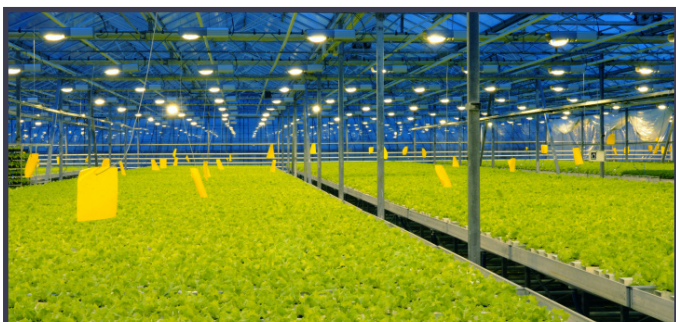
The **Hellion 600/750W DE-HPS Lighting System** delivers the full potential of DE-HPS UHF/400V efficiency at close range to your plants while remaining cool and minimising wasted light.



RAISE YOUR GAME NOT YOUR GROW LIGHTS

RAISE YOUR GAME, NOT YOUR GROW LIGHTS

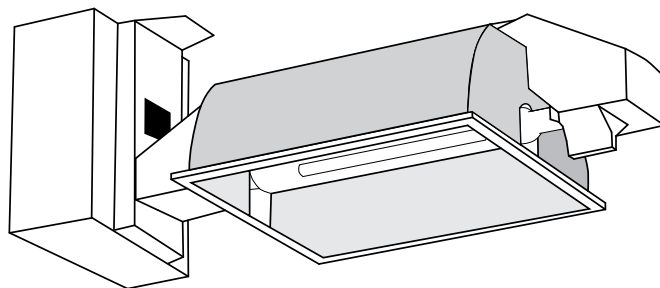
Other DE-HPS fixtures are commonly supplied and fitted with compact, non-focusable *greenhouse style* reflectors. These small, *deep dish* reflectors are designed for very high placement, solar-supplementation in greenhouses. Unfortunately, they are also renowned for trapping heat and re-emitting huge amounts of infrared radiation which can detrimentally affect growth patterns (stem elongation) and crop quality (poor essential oil production). Infrared overload from tiny reflectors can also cause bleaching, burning and inhibit maturation.



Greenhouse solar-supplementation using deep dish reflectors placed high above the plant canopy.

Consequently, growers are forced to position their lights higher and higher as a compromise, resulting in significant light loss to walls and walkways, as well as poor canopy penetration and diminished overall yields. Furthermore, this static, high-level light placement necessitates growers to use maximum power on seedlings only to dim lights as plants grow taller and approach maturity. This counterintuitive approach is incredibly wasteful and contrary to parallel processes in nature.

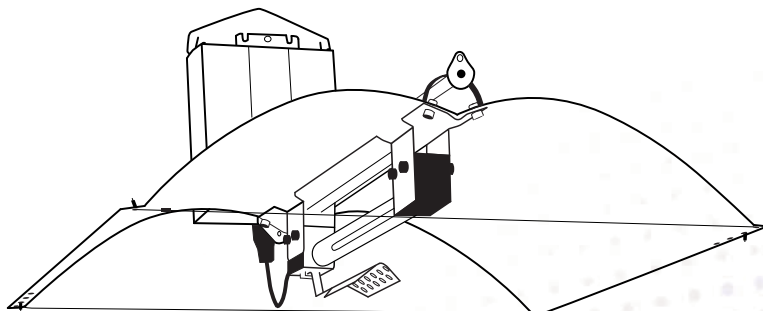
Deep Dish Style Reflector



Too hot for your crop! *These deep-dish reflectors were designed to supplement sunlight in greenhouses during winter. Their small form causes minimal shade on the crops far beneath. However, when used in grow rooms at proximities of 60 - 90 cm these fixtures invariably overheat plants (convection and radiant heat) leading to abiotic stress, stunted growth and fewer essential oils.*

Adjust-A-Wings Hellion 600/750W

DE-HPS Illumination Kit



Perfected for grow rooms. *The Hellion's open-ended design naturally dissipates heat, prolonging lamp life. Growers can safely position the fixture as close as 45 cm from the canopy with no heat stress—all thanks to the superior reflector design and Super-Spreader. This deep, penetrating, angular and intense light drives production throughout the plant, not just the canopy leading to significantly higher yields.*

A SPECIALISED SOLUTION FOR THE MOST DEMANDING PLANTS



It can be very challenging for indoor growers to supply adequate light intensity, especially when growing high DLI (daily light integral) short day flowering species (12 hours' light or less). This challenge is compounded when cool temperatures are also required—especially species native to the subtropics at higher altitudes.

The **Hellion 600/750W DE-HPS lamp** delivers the high light intensity required, while the double-parabolic Defender reflector and Super-Spreader diffuse and spread the plant-usable photons and infrared radiation, adjustable throughout the lifecycle. This provides the perfect combination of high light and protection from excess heat needed for these crops to reach their full potential.

TRANSFORM YOUR GROWING EFFICIENCY

The **Adjust-A-Wings** growing philosophy is markedly different to lighting manufacturers coming from the greenhouse industry. Our **patented double-parabolic reflector and Super-Spreader allow growers to bring their lamps as close as 45 cm (18") to their plants, even on 750W setting, without losing light coverage, burning tops or causing heat stress.** This close placement brings all-important intense, angular and penetrating light deep into the entire plant canopy, leading to significantly increased rates of photosynthesis and flower site stimulation. The result is more homogeneous, full plant production with bigger yields from healthier, more reliable plants.



Adjust-A-Wings reflectors enable much closer placement to the plant canopy for deeper light penetration. The patented double-parabolic reflector and Super-Spreader prevent the heat problems associated with deep dish reflectors.

Despite the close lamp placement, the Super-Spreaders prevent hot spots from forming directly beneath the lamp and help to spread radiation evenly across the entire footprint. Growers enjoy a much wider margin for error and higher production and quality throughout the plant.

RUN AT 600W OR 750W WITHOUT COMPROMISE

Our specially designed **Hellion DE-HPS lamp** runs perfectly at both 600W and 750W settings with no significant spectral degradation or efficiency loss. Furthermore, the ballast and lamp are ready to use straight out of the box and do not require running in or seasoning for 100 hours.

A PERFECTLY UNIFIED LIGHTING SYSTEM: LAMP, UHF BALLAST AND REFLECTOR



We've taken the power of UHF/400V electronic ballasts, meticulously engineered and tuned a 750W DE-HPS lamp, and combined them in our state-of-the-art double-parabolic **Adjust-A-Wings Defender** reflector to create the ultimate lighting system, designed specifically with both quality and production in mind, where grow lights form the sole light source.

The **Hellion** is the only DE-HPS lighting system that provides an adjustable beam width to spread the light and heat evenly along with an adjustable lamp position to fine tune the intensity and footprint shape.



SUPER INTENSE!
30 - 45 cm hanging height

Attentive and experienced growers cultivating high DLI strains report great results at even shorter distances.

Daily checks and adjustments are imperative when growing plants this close to the lamp.

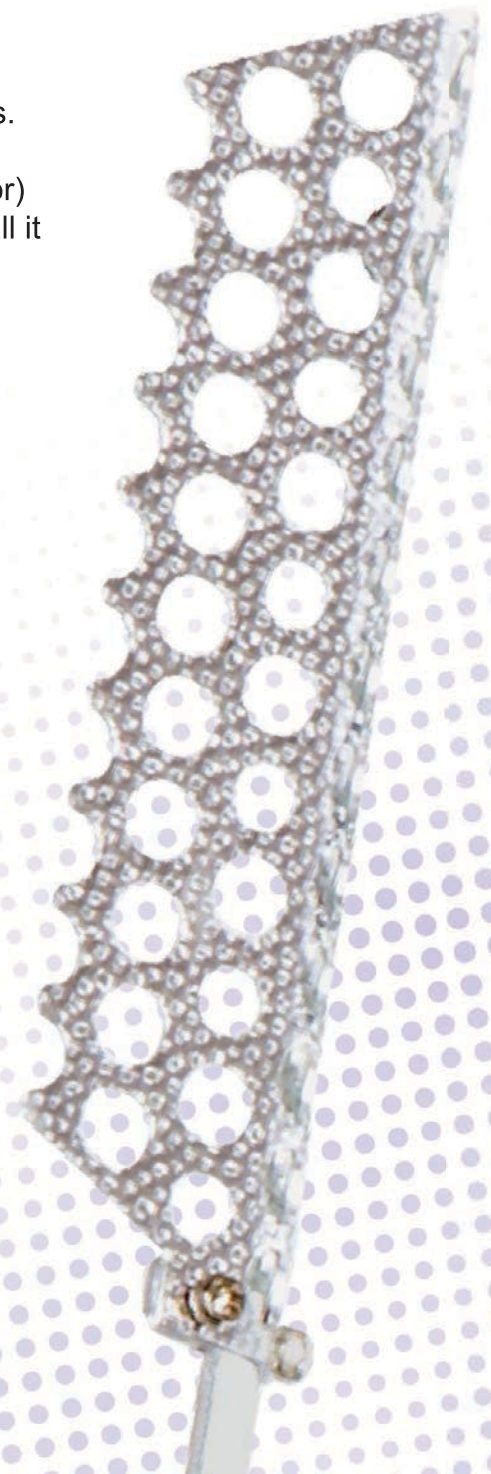
WHAT'S IN THE KIT?

- Hellion UHF Digital Ballast
- Hellion UHF 750W DE-HPS Lamp
- Hellion DE Lamp Adaptor (adjustable)
- Hellion Medium Defender Reflector
- Hellion Super-Spreader
- Cords for 240V Power (facilitates both remote and on-board ballast configurations)
- *SOLD SEPARATELY*: Reflector Connector (mounting system for on-board *fixture style* ballast placement)



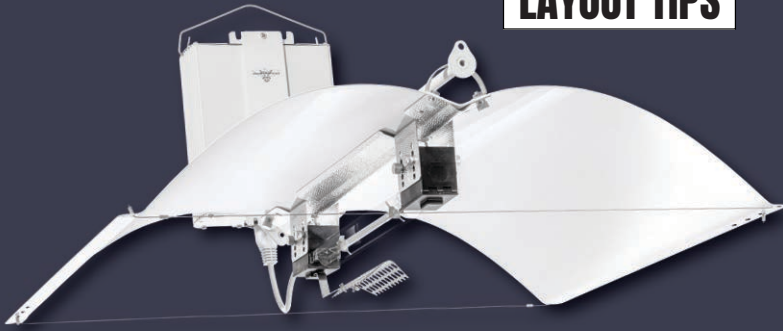
KEY BENEFITS FOR GROWERS

- **Built for the job.** Designed for light-hungry, heavy fruiting annuals.
- **Perfectly tuned.** Hellion is a complete kit (e-ballast, lamp, reflector) that's been designed and fine-tuned to work perfectly together. Call it harmonic synergy—this is a match made in horticultural heaven!
- **Always efficient.** The Hellion DE-HPS lamp produces the same photon efficiency at 600W and 750W settings without any significant spectral degradation.
- **DE-HPS for everyone.** The Hellion is ideal for growers with regular height ceilings or standard height grow tents (200 – 220 cm) who have previously been shut out of DE-HPS technology due to lack of vertical space.
- **Fully adjustable.** Enjoy five reflector width settings and mimic the seasons to drive your plant perfectly through its lifecycle. Five lamp height positions help you to fine tune the intensity in the area predominantly beneath the lamp.
- **Fewer lamp change-outs.** The lamp runs cooler in our open Defender reflector as heat can naturally escape. This prolongs the working life of the lamp by up to 50%!
- **Whole plant production.** Closer placement means deeper canopy penetration and increased yields. High quality buds develop throughout the plant, not just at the canopy surface.
- **Homogenous crop maturity.** A more uniform lighting footprint and temperature gradient means the entire crop develops and matures at the same time, leading to more cycles per year.



ADJUST-A-WINGS 600 / 750W HELLION DE-HPS WITH MEDIUM DEFENDER REFLECTOR

LAYOUT TIPS

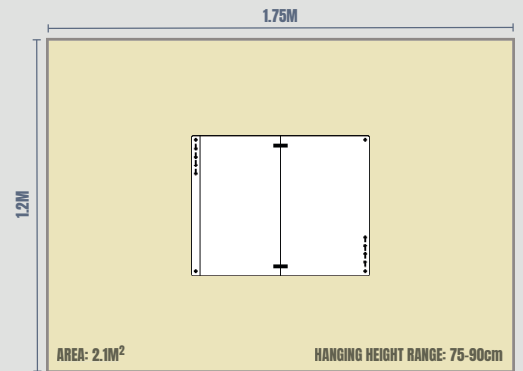
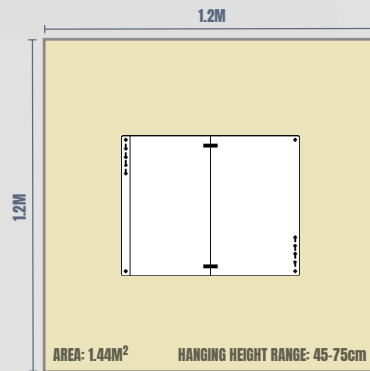
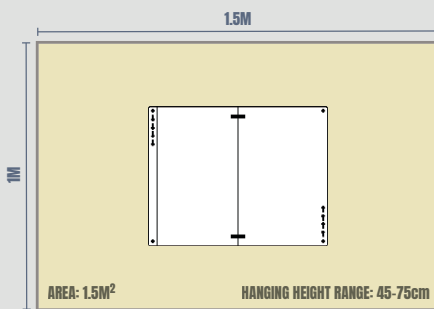


All layout suggestions apply to 600W and 750W settings with Super-Spreaders.

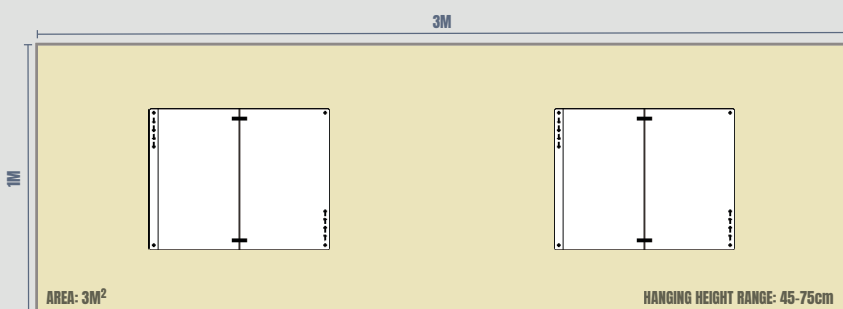
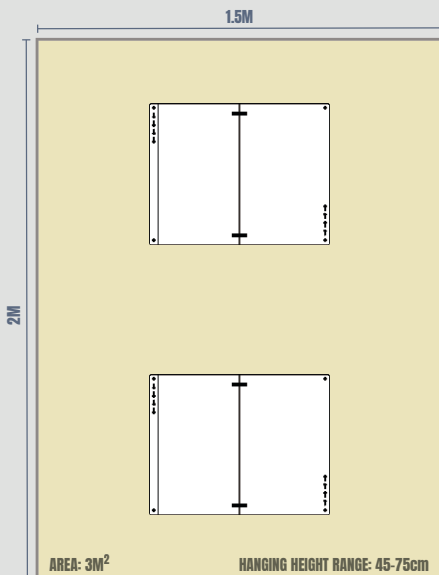
To maximise efficiency fit reflective sheeting to surrounding walls or house lights in a grow tent.

ALTERNATIVE LAYOUTS

OPTIMAL LAYOUT



2-LIGHT LAYOUTS



SEASONAL PROGRESSION

Adjust the height and spread of your 600 / 750W HELLION DE-HPS to mimic the seasons for your plants.

Spring:

For uniform growth create warm, even light patterns with moderate intensity.

Summer:

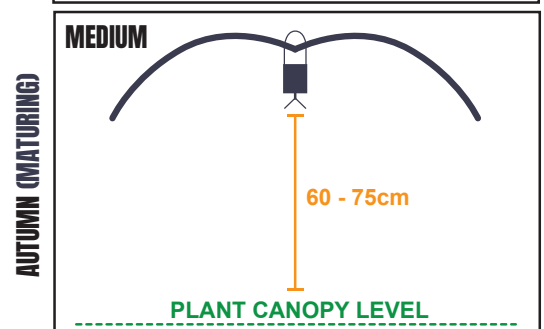
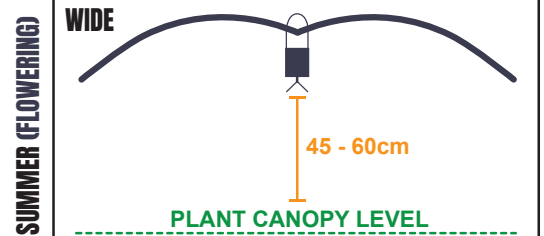
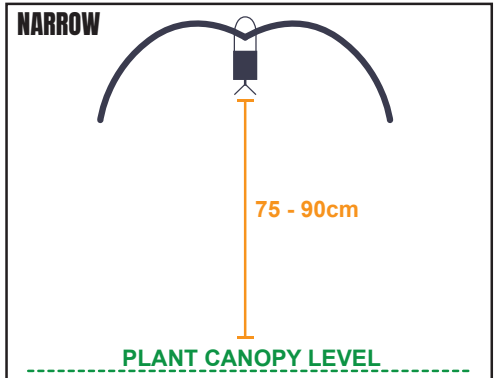
Trigger flowering deep into the foliage with high intensity light and summer temperatures.

Autumn:

Enhance and balance essential oil as plants mature with autumn settings.

SUPER INTENSE: 30 - 45 CM HANGING HEIGHT!

Attentive and experienced growers cultivating high DLI strains report great results at even shorter distances. Daily checks and adjustments are imperative when growing plants this close to the lamp.



RECOMMENDED SET-UP FOR FLOWERING



DISTRIBUTORS



Accent Hydroponics
www.accenthydroponics.com

+61 (0)2 9668 9577
sales@accenthydroponics.com



WHG.Net
www.whg.net.au

+61 (0)2 9725 2982
info@whg.net.au



growshop.co.nz
Growshop.co.nz
www.growshop.co.nz

+64 (0)3 3497500
cst@growshop.co.nz

Support

Follow us on Instagram: @Adjustawings420

Like us on Facebook: www.facebook.com/Adjust-A-Wings-103204600470441

Check out articles and download resources: www.Adjustawings.com

Link to digital resources: www.Adjustawings.com/Resources

Hygro International Pty Limited
Unit 3/15 Orchard Road
Brookvale, NSW 2100
Sydney AUSTRALIA

Tel: +61 (0)2 9939 3478

Fax: +61 (0)2 9939 5722

Email: info@hygro-int.com