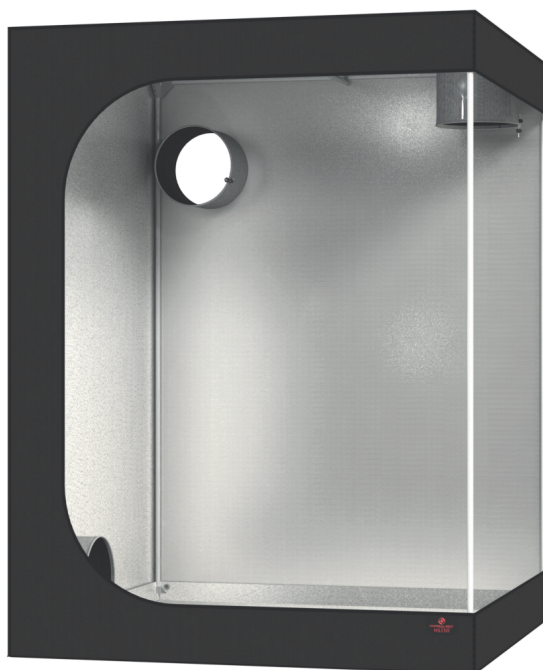




HYDROSHOOT

HS150

## Structure Assembly HS150



x8 HS19-B



x8 HS19-C



x4 HS19-D



x4 HS19-E



x2 HS19-GL

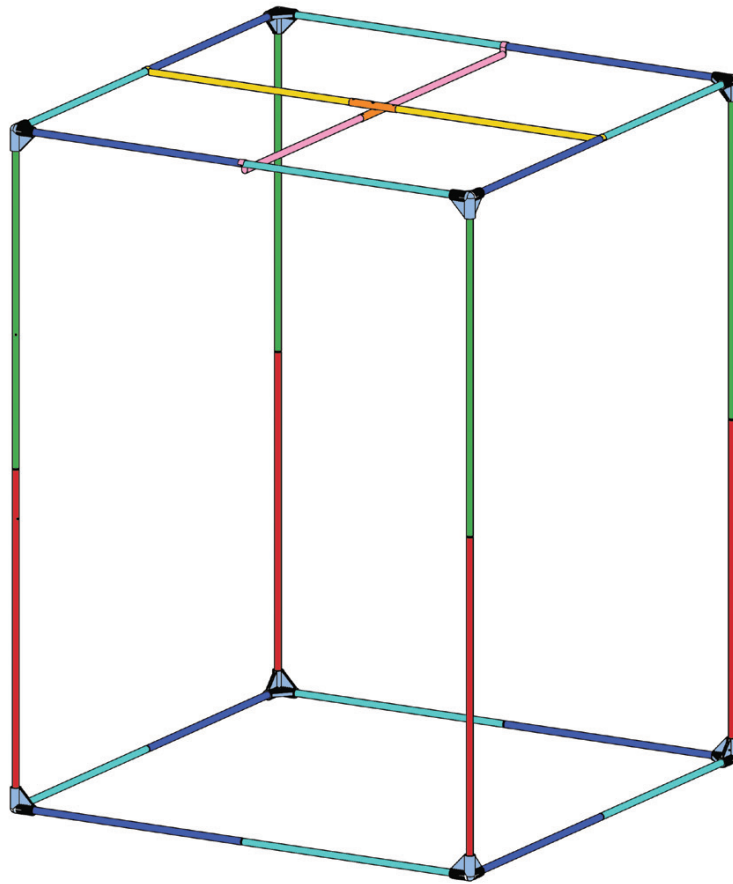


x2 HS19-GH



x2 HS19-L





x8 C19-Y

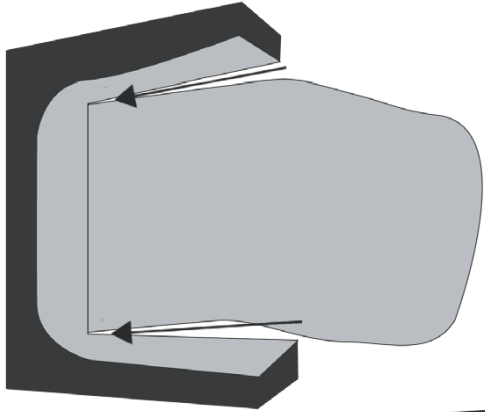


Reference	HS150 Metric	Imperial
Dimensions	150 x 150 x 200cm	5' x 5' x 6 <sup>2</sup> / <sub>3</sub> '
Extraction	x2 Ø280mm	x2 Ø11in
Intraction	x2 Ø280mm	x2 Ø11in
Cable Flange	x2 Ø70mm	x2 Ø2.8in

## For the big sizes

(HS40 | HS120 - HS150 - HS240 - HS240w - HS300 - HS300w - HS480W - HS600W)

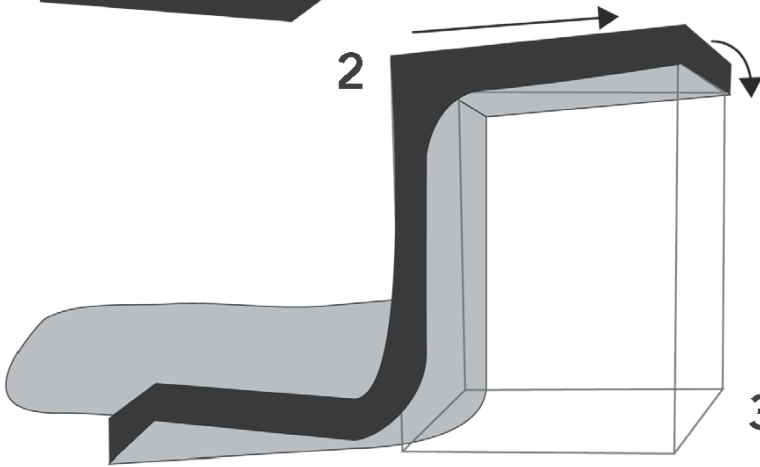
1



HS150



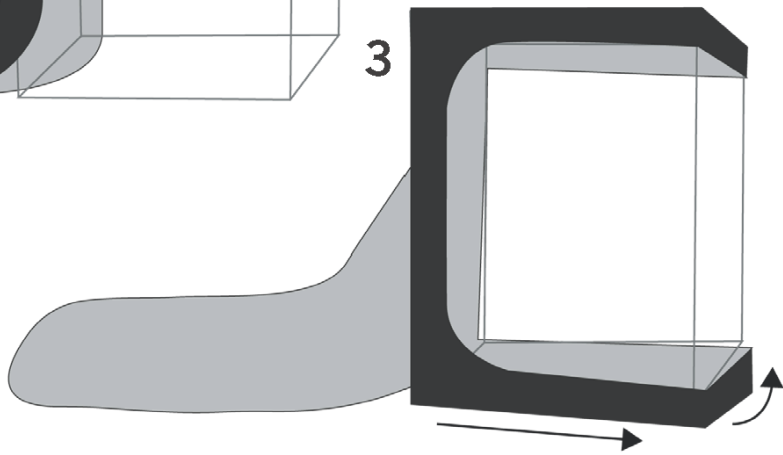
2



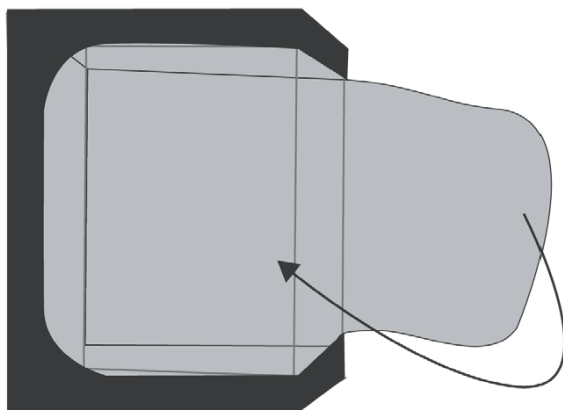
HS300



3



4



5

