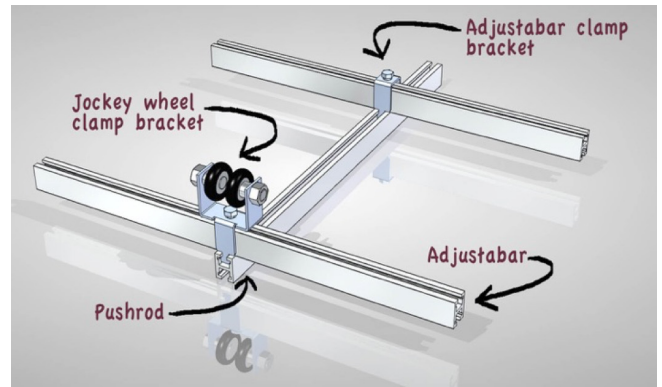




Adjustabar (crossbars) can be supplied in the following lengths: 400mm, 500mm, 1m, 1.5m and 2m.



Which length Adjustabar will I need for a single light?

For single light kits measure the distance between the hanging points of chosen reflector.

As an example, if the measurement is say 320mm then a 400mm Adjustabar is the correct choice.

Pushrod length is always half the length of the rail to be supplied except for Kits 7 & 8 which both run 2m pushrods. So if the Kit has a rail length of 4m then pushrod will be 2m.

WHICH DIRECTION YOU PREFER TO HANG LIGHTS WILL DETERMINE WHICH SET UP YOU PURCHASE.

1

Globe in line with rail - If in line then they would only require a pushrod as the eyebolts secure to the underside of bar.

All pushrod kits without crossbars look like this....



2

Globe 90 degrees to rail - Multiple Adjustabars of all available lengths can easily be clamped at 90 degrees to the pushrod.

All pushrod / crossbar kits look like this....



JUPITER have recently completed upgrading the Jupiter 2 light mover to make it easier to assemble, more adjustable and even tougher than before.

ALL SINGLE LIGHT KITS will now come standard with a mini 400 mm crossbar (Adjustabar).

Other sizes are available on request

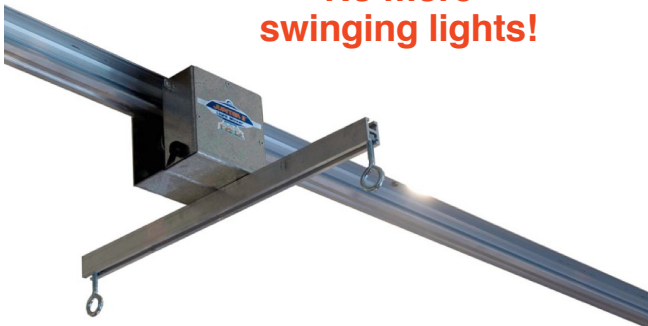
The Adjustabar is easily adjusted by loosening the motor nut, repositioning Adjustabar to obtain correct light balance and retightening the nut.

You can also loosen eyebolts, adjust to desired position and retighten. **NO MORE DRILLING HOLES!**

- Great news for those running Gavita's and other off-centre balanced ballasted light kits.

All single light kits look like this....

No more swinging lights!



ALL PUSHROD AND CROSSBAR KITS now run a new heavy duty, fully adjustable aluminium extrusion. Same extrusion for pushrod and crossbar.

The new extrusion measures 14x17mm with a slot in the top and bottom that accepts any 6mm bolt head or nut.

NO MORE DRILLING HOLES

Eyebolts slide along and fasten in any position on Pushrod & Adjustabar.

JOCKEY WHEEL KIT has also changed, it now acts as a clamp bracket for the crossbar.

The bracket legs slide into the extrusion and hold the wheels in the correct position for smooth running on rail.

Adjustabar clamp bracket used to clamp extra bars to pushrod.