

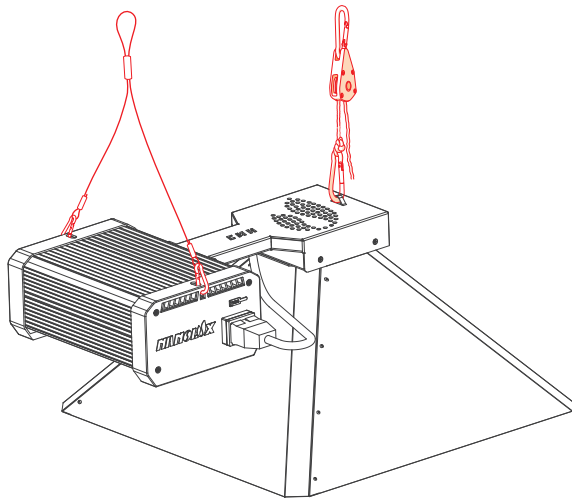
? SUITABLE LAMPS

Nanolux CMH-315NC 315-watt Ceramic Metal Halide fixtures are designed and tested to drive Ceramic Metal Halide (CMH) lamps only. Do NOT use any other type of lamp or rated wattage, which may cause damage to your ballast and lamp.

📄 FIXTURE HANGING

HANGING VERTICALLY.

1. Attach the carbiners on the steel wire hanger to ballast hanging holes.
2. Hang the fixture in the desired location.



⚠️ MAINTENANCE

There are no serviceable parts inside the luminaire. Opening the housing will void warranty. Keep the housing clean from dust and dirt with a dry or damp cloth to ensure optimal cooling. When using a damp cloth disconnect from the power first. Please check your electrical connections regularly.

🌐 WARRANTY

Nanolux Technology Inc. warrants the mechanical and electronic components of the CMH-315NC to be free of defects in material and workmanship if used under normal operating conditions for a period of three (3) years from the original date of purchase. If the product shows any defects within this period and that defect is not due to user error or improper use Nanolux Technology Inc shall, at its discretion, either replace or repair the product using suitable new or refurbished parts. For Nanolux lamps and reflectors the warranty period is one (1) year from the original date of purchase. In case Nanolux decides to replace the entire product, this limited warranty shall apply to the replacement ballast for the remaining initial warranty period, i.e. three (3) years from the date of purchase of the original product. For service please return the ballast to your dealer or shop with the **original sales receipt**.

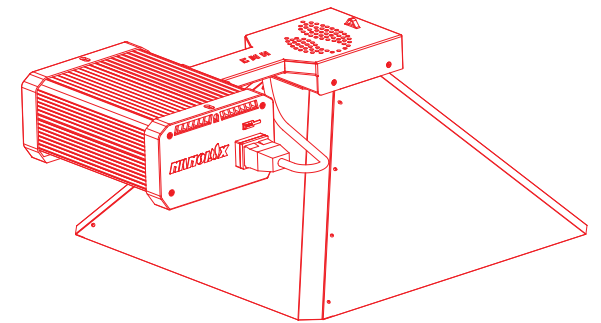
For more information about Nanolux product please visit nanoluxtech.com

OPERATING MANUAL

DIGITAL ELECTRONIC BALLAST

CMH 315NC

NCCS APP COMPATIBLE



PATENTED PRODUCTS, COUNTERFEITING NOT ALLOWED.

Designed by NANOLUX in California
Made in China

NANOLUX CMH
www.nanoluxtech.com
Illuminating Your Grow

PLEASE READ THESE INSTRUCTIONS FIRST BEFORE INSTALLATION

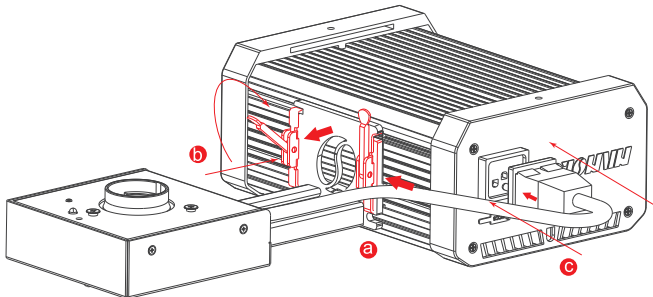
Congratulations on the purchase of your new Nanolux CMH-315NC fixture. We have done everything to insure a long life and safe operations, but the installations and use of the ballast is the responsibility of the user. Incorrect use or installations can lead to failure and damage to the ballast. Damage to the luminaire and electronic circuitry as a result of incorrect installations and use revokes your warranty. Read this manual carefully before installing your luminaire.

TECHNICAL SPECIFICATIONS

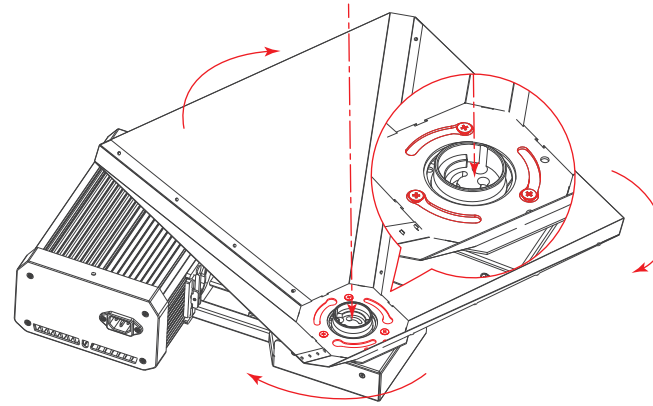
Model	CMH 315NC
	No Fan
Input Voltage	120VAC,240VAC,277VAC(Optional)
Output Voltage	80VAC-150VAC
Input Frequency	50Hz-60Hz
Output Power	315W Max
Power Factor	≥0.99
Crest Factor	≤1.7
THD	≤10%
Dimming	none
Strike Lamp	CMH 315W
Protection Function	Over Temperature;Over/Under Voltage;Open/Short Circuit
Size (L*W*H)	554*420*243mm(21.8*16.5*9.6 inch)
Weight	6.0kgs(13.2lbs)

INSTALL FIXTURE ON BALLAST

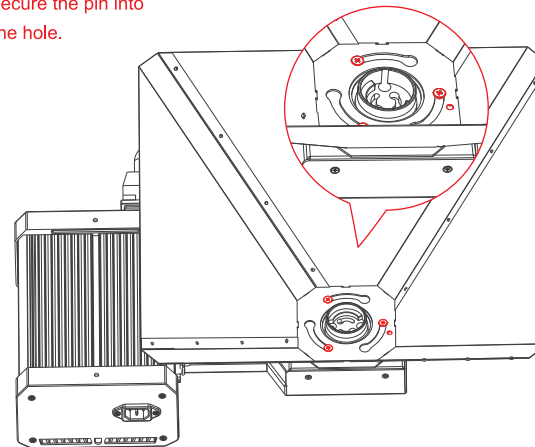
1. Make sure power is off!!!
2. Insert the fast mounting clips into the cutout in the center of the ballast, and slide them off to opposite sides.
3. Hold the fixture from its base and plug in the fixture by inserting terminal into the socket.
4. Slide the fast mounting clips into the grooves on the ballast until they are in place to hold the fixture.
5. Press the fast mounting lever to lock in place.
6. Confirm the fixture is installed on the ballast properly and is not loose.



- 1) Place the reflector over the three bolts on the mounting frame of the ballast. Align the hood so that the pin alignment hole on the hood is in the same quadrant as the alignment hole on the ballast frame.
- 2) Rotate the hood clockwise so the hood is aligned squarely with the ballast assembly.



- Adjust the reflector to secure the pin into the hole.



SCOPE OF USE

The Nanolux CMH-315NC fixtures are designed to drive horticultural ceramic metal-halide lamps for plant cultivation. They are intended for climate room use. They are suited for damp locations but should not be used outdoors or in wet environments.

High Intensity Discharge lamps generate intense heat. Installations of HID lamps should follow local installation and safety regulations.

INSTALLATION COMPLY WITH LOCAL INSTALLATION REGULATIONS

These luminaires are suitable for a damp indoor location. Do not install your luminaires in a wet environment or outdoors.

Do not operate these luminaires close to combustible materials. The lamp and reflector will get hot during operation. Do not touch the reflector or lamp during or right after operation. Make sure the power cord does not touch any hot part of the luminaire. Make sure the lamp is clean and inserted correctly.

A normal operating environment temperature should be below 122°F. Exceeding the maximum environmental temperature will stress electronic components, which will lead to shorter lifetime and decreased reliability.

When using a NCCS RTU in the USB port of a Nanolux ballast, the Dimming function control dial on the ballast will be taken out of function.

RTU is removed from the ballast during operation OR the RTU loses communication with the DTU for any reason, the ballast will automatically turn off after 10 minutes. The ballast has to be unplugged from the power source and turned back on to reset. The ballast will then run in regular mode (no NCCS) or if a RTU is plugged in, it will operate in NCCS mode. If the ballast continues to turn off for any reason during operation with the RTU in NCCS mode, replace the RTU and confirm it is communicating with the DTU. For further NCCS APP customer support and tech support pages, visit www.nanoluxtech.com.

LAMP REPLACEMENT AND HOT RESTRIKE

CAUTION:

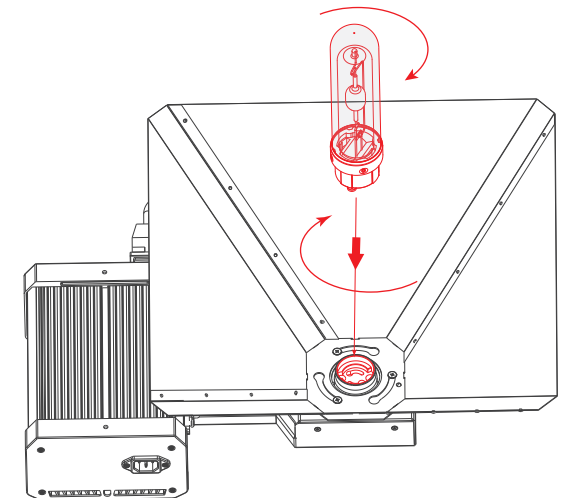
- Always install the lamp before connecting your luminaire to mains.
- Allow lamp to cool 30 minutes before restarting (hot restrike).
- When changing the lamp always disconnect the luminaire from mains by removing the mains plug. Let the lamp and reflector cool down for 30 minutes before changing as they are very hot. When replacing a defective lamp without disconnecting the mains, the lamp will not start. Disconnecting the power and reconnecting it will restart the ballast.

TO TAKE OUT A LAMP:

- DISCONNECT THE MAINS FIRST
- The base has two prongs that are twisted counter-clockwise then pulled outward. It is recommended to handle and hold the lamp by its base in order to prevent breaking the lamp.

TO INSTALL A NEW LAMP:

- DISCONNECT FROM MAINS FIRST
- Make sure the lamp is clean, wear cotton gloves and clean the lamp after installation with a dry soft cloth. Never use detergents to clean a lamp, use pure alcohol or wipe clean with a dry clean soft cloth.
- Hold the lamp from its base and align the terminals to the sockets
- Hold the lamp from its base and Plug in the the lamp by inserting both terminals in the socket and press together firmly.
- Turn the lamp in a clockwise to lock in place (or lock)
- Wipe the lamp with a clean soft cloth.
- Be sure not to touch the reflective material of the reflector with your bare hands.





文控编号：

料号： 64090280

图纸名称：操作说明书(三折页)
CMH315W-CUN-2S-WIFI-LF
一体机

版本号： REV:A

页数： 1

设计：
文案：
结构确认：
电子确认：
审核：

市场部：

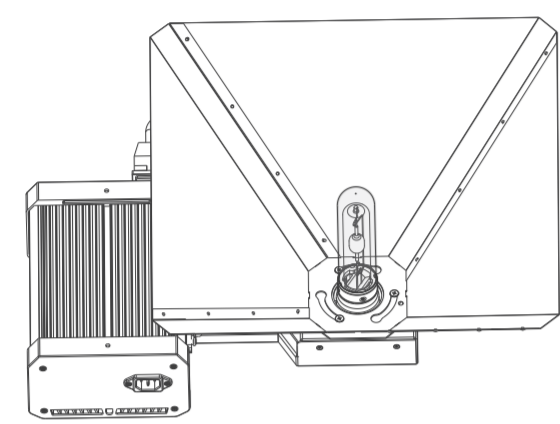
备注/说明：

尺寸：280x300mm

三折页到货尺寸：280x100mm

材质说明：157g双铜纸,四色印刷

■ C0 M100 Y100 K0



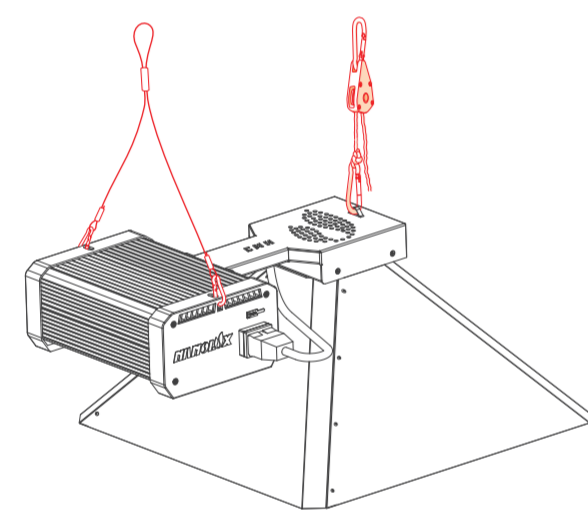
🔍 SUITABLE LAMPS

Nanolux CMH-315NC 315-watt Ceramic Metal Halide fixtures are designed and tested to drive Ceramic Metal Halide (CMH) lamps only. Do NOT use any other type of lamp or rated wattage, which may cause damage to your ballast and lamp.

🏠 FIXTURE HANGING

HANGING VERTICALLY.

1. Attach the carbiners on the steel wire hanger to ballast hanging holes.
2. Hang the fixture in the desired location.



⚠️ MAINTENANCE

There are no serviceable parts inside the luminaire. Opening the housing will void warranty. Keep the housing clean from dust and dirt with a dry or damp cloth to ensure optimal cooling. When using a damp cloth disconnect from the power first. Please check your electrical connections regularly.

-04-

🌐 WARRANTY

Nanolux Technology Inc. warrants the mechanical and electronic components of the CMH-315NC to be free of defects in material and workmanship if used under normal operating conditions for a period of three (3) years from the original date of purchase. If the product shows any defects within this period and that defect is not due to user error or improper use Nanolux Technology Inc shall, at its discretion, either replace or repair the product using suitable new or refurbished parts. For Nanolux lamps and reflectors the warranty period is one (1) year from the original date of purchase. In case Nanolux decides to replace the entire product, this limited warranty shall apply to the replacement ballast for the remaining initial warranty period, i.e. three (3) years from the date of purchase of the original product. For service please return the ballast to your dealer or shop with the **original sales receipt**.

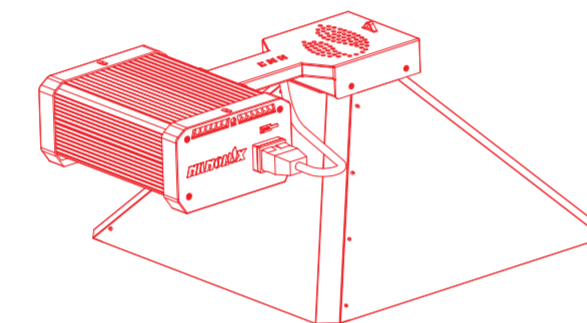
For more information about Nanolux product please visit nanoluxtech.com

OPERATING MANUAL

DIGITAL ELECTRONIC BALLAST

CMH 315NC

NCCS APP COMPATIBLE



PATENTED PRODUCTS, COUNTERFEITING NOT ALLOWED.
Designed by NANOLUX in California
Made in China

NANOLUX CMH
www.nanoluxtech.com
Illuminating Your Grow

📢 PLEASE READ THESE INSTRUCTIONS FIRST BEFORE INSTALLATION

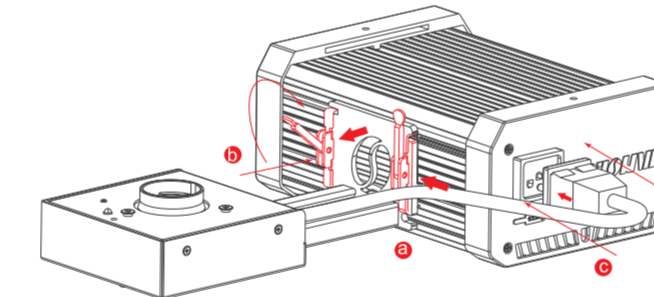
Congratulations on the purchase of your new Nanolux CMH-315NC fixture. We have done everything to insure a long life and safe operations, but the installations and use of the ballast is the responsibility of the user. Incorrect use or installations can lead to failure and damage to the ballast. Damage to the luminaire and electronic circuitry as a result of incorrect installations and use revokes your warranty. Read this manual carefully before installing your luminaire.

📄 TECHNICAL SPECIFICATIONS

Model	CMH 315NC
No Fan	No Fan
Input Voltage	120VAC/240VAC/277VAC(Optional)
Output Voltage	80VAC-150VAC
Input Frequency	50Hz-60Hz
Output Power	315W Max
Power Factor	>0.99
Crest Factor	≤1.7
THD	≤10%
Dimming	none
Strike Lamp	CMH 315W
Protection Function	Over Temperature/Over/Under Voltage/Open/Short Circuit
Size (L*W*H)	55*42*243mm(2.18*1.65*9.6 inch)
Weight	6.0kg(13.2lbs)

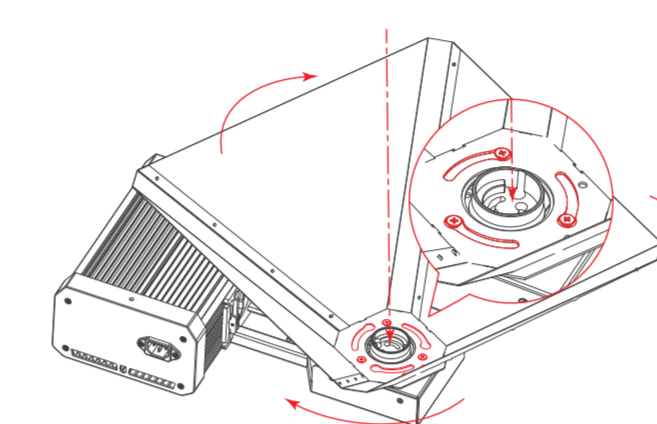
🏠 INSTALL FIXTURE ON BALLAST

1. Make sure power is off!!!
2. Insert the fast mounting clips into the cutout in the center of the ballast, and slide them off to opposite sides.
3. Hold the fixture from its base and plug in the fixture by inserting terminal into the socket.
4. Slide the fast mounting clips into the grooves on the ballast until they are in place to hold the fixture.
5. Press the fast mounting lever to lock in place.
6. Confirm the fixture is installed on the ballast properly and is not loose.

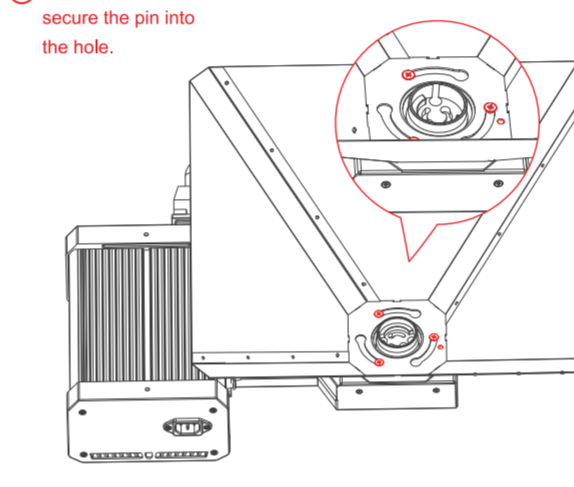


- 1) Place the reflector over the three bolts on the mounting frame of the ballast. Align the hood so that the pin alignment hole on the hood is in the same quadrant as the alignment hole on the ballast frame.
- 2) Rotate the hood clockwise so the hood is aligned squarely with the ballast assembly.

-01-



- Adjust the reflector to secure the pin into the hole.



🔧 SCOPE OF USE

The Nanolux CMH-315NC fixtures are designed to drive horticultural ceramic metal-halide lamps for plant cultivation. They are intended for climate room use. They are suited for damp locations but should not be used outdoors or in wet environments.

High Intensity Discharge lamps generate intense heat. Installations of HID lamps should follow local installation and safety regulations.

🇺🇸 INSTALLATION COMPLY WITH LOCAL INSTALLATION REGULATIONS

These luminaires are suitable for a damp indoor location. Do not install your luminaires in a wet environment or outdoors.

Do not operate these luminaires close to combustible materials. The lamp and reflector will get hot during operation. Do not touch the reflector or lamp during or right after operation. Make sure the power cord does not touch any hot part of the luminaire. Make sure the lamp is clean and inserted correctly.

A normal operating environment temperature should be below 122°F. Exceeding the maximum environmental temperature will stress electronic components, which will lead to shorter lifetime and decreased reliability.

When using a NCCS RTU in the USB port of a Nanolux ballast, the Dimming function control dial on the ballast will be taken out of function.

-02-

RTU is removed from the ballast during operation OR the RTU loses communication with the DTU for any reason, the ballast will automatically turn off after 10 minutes. The ballast has to be unplugged from the power source and turned back on to reset. The ballast will then run in regular mode (no NCCS) or if a RTU is plugged in, it will operate in NCCS mode. If the ballast continues to turn off for any reason during operation with the RTU in NCCS mode, replace the RTU and confirm it is communicating with the DTU. For further NCCS APP customer support and tech support pages, visit www.nanoluxtech.com.

🔥 LAMP REPLACEMENT AND HOT RESTRIKE

CAUTION: ⚠️⚠️⚠️⚠️⚠️

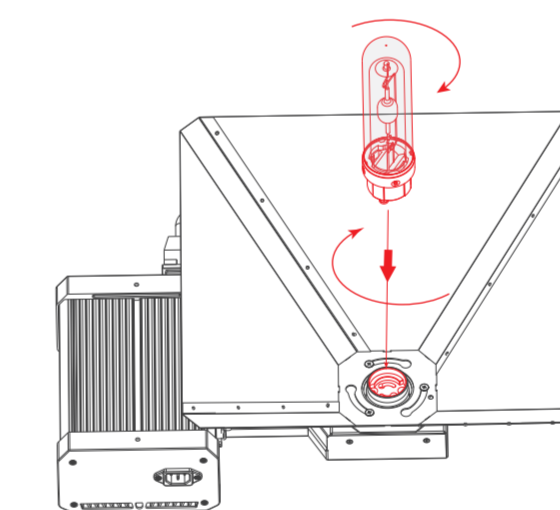
- Always install the lamp before connecting your luminaire to mains.
- Allow lamp to cool 30 minutes before restarting (hot restrike).
- When changing the lamp always disconnect the luminaire from mains by removing the mains plug. Let the lamp and reflector cool down for 30 minutes before changing as they are very hot. When replacing a defective lamp without disconnecting the mains, the lamp will not start. Disconnecting the power and reconnecting it will restart the ballast.

TO TAKE OUT A LAMP:

- DISCONNECT THE MAINS FIRST
- The base has two prongs that are twisted counter-clockwise then pulled outward. It is recommended to handle and hold the lamp by its base in order to prevent breaking the lamp.

TO INSTALL A NEW LAMP:

- DISCONNECT FROM MAINS FIRST
- Make sure the lamp is clean, wear cotton gloves and clean the lamp after installation with a dry soft cloth. Never use detergents to clean a lamp, use pure alcohol or wipe clean with a dry clean soft cloth.
- Hold the lamp from its base and align the terminals to the sockets
- Hold the lamp from its base and Plug in the lamp by inserting both terminals in the socket and press together firmly.
- Turn the lamp in a clockwise to lock in place (or lock)
- Wipe the lamp with a clean soft cloth.
- Be sure not to touch the reflective material of the reflector with your bare hands.



-03-