

PondMAX[®]

FOR GARDENS THAT GO THE EXTRA YARD

INFINITI WATER FEATURE PUMPS

INSTRUCTION MANUAL



DATE
JUNE 2021 v1.0

www.pondmax.com.au
HOTLINE 1300 278 283

MODEL
i800
i1200
i2000

CONGRATULATIONS ON YOUR PURCHASE OF THIS PRODUCT BY **PONDMAX**, THE ANSWERS FOR YOUR WATERGARDEN MADE EASY.

TECHNICAL SPECIFICATIONS

DESCRIPTION	i800	i1200	i2000
MAXIMUM WATER FLOW (L/H)	800	1200	2300
MAXIMUM HEAD (M)	1.6	2	2.2
POWER CONSUMPTION (W)	20	25	32
VOLTS (V)	230	230	230
IP RATING	IP X8	IP X8	IP X8
FREQUENCY (HZ) AC	50	50	50
FLOW ADJUSTER	YES	YES	YES
INLET BSP THREAD (INCH)	-	-	3/4
OUTLET BSP Ø THREAD (INCH)	-	-	3/4
OUTLET BSP Ø PUSH FIT (MM)	17	17	-
CABLE LENGTH (M)	10	10	10
RECOMMENDED TUBING SIZE (MM)	20	20	25
DIMENSIONS (MM)	75 x 55 x 90	75 x 55 x 90	170 x 75 x 120
WEIGHT (KG)	1.2	1.2	1.8

DESIGN HIGHLIGHTS

The PondMAX Infiniti Submersible Pumps have been manufactured with advanced technology to provide you with the best quality pumps for your pond or water feature. Visit our website to view our range of pond filtration, outdoor/underwater lighting, water treatments and general accessories.

- Suitable for indoor and outdoor water features
- Adjustable water flow
- Compact design
- Hose connection
- Including 10m cable
- Includes 5 Year Warranty

INFINTI i800 / i1200 / i2000

INSTRUCTIONS



IMPORTANT SAFEGUARDS

Please read these instructions and familiarize yourself with the equipment before placing it in service. Correct and safe use of the system requires strict compliance with the safety instructions. For safety reasons persons less than 16 years of age or people that are not familiar with these instructions should not use this equipment.

- Any damage to the equipment or unmerited operation will bring dangers to the surrounding precincts. So, if there is any damage of the equipment, it must not be used. The equipment should be placed out of reach of children.
- For your own safety, disconnect from the power supply before any maintenance of any equipment is attempted on the tank or water body. Always unplug the pump from the power supply when not in use. Never pull the cable to disconnect the plug from the power supply - Grasp the plug and pull to disconnect. If required, have a qualified electrician install a weatherproof power supply point near to the pond or water-feature (within the cable length of the appliance).
- Be sure the equipment is submerged completely in the water. The depth should not be greater than 1m.
- Do not operate the pump if the appliance or any components of the system, such as the power cable, have been damaged. Check appliance for defects regularly.
- Always use a properly grounded power supply that is connected to an RCD with a rated residual operating current not exceeding 30mA. As per AS/NZS 3350.2.41:1997
- To avoid an electric shock, do not attach the plug to the power supply socket with wet hands. The drip loop method should be used to prevent water from traveling down the cable and onto the plug or power supply. If the plug does get wet, do not unplug the cable. Disconnect the circuit breaker that supplies power to the power supply point. Then unplug and examine the plug and power supply point for presence of water. If the power point has become wet, you should consult an electrician before using the power point again.
- Do not install or store the appliance where it will be exposed to extreme hot or cold temperatures. Do not use in water above 35°C.
- Do not cut the cable as this will result in voiding your warranty.
- Care should be taken to arrange the power cable so that it cannot be accidentally tripped over or pulled.
- Do not attempt to repair the electrical appliance yourself. Return to an authorised service centre or place of purchase if a fault occurs, (regular maintenance is not considered repair and is required by user)

PRODUCT SPECIFIC SAFEGUARDS

CORRECT ELECTRICAL INSTALLATION

- Electrical installations must meet the national regulations and may only be carried out by a qualified electrician.
- A person is regarded as a qualified electrician if, due to his/her vocational education, knowledge, and experience, he or she is capable of and authorised to judge and carry out the work commissioned to him/her. This also includes the recognition of possible hazards and the adherence to the pertinent regional and national standards, rules, and regulations.
- For your own safety, please consult a qualified electrician.
- Extension cables and power distributors (e.g., outlet strips) must be suitable for outdoor use (splash-proof).
- Protect the plug connection from moisture.
- Only connect the unit to a correctly fitted socket.

SAFE OPERATION

- The impeller unit in the pump contains a magnet with a strong magnetic field that may affect the operation of pacemakers or implantable cardioverter defibrillators (ICDs). Always keep magnets at least 0.2m away from implanted devices.
- Keep the socket and power plug dry.
- Never carry or pull the unit by the electrical cable.
- Route cables such that they are protected from damage and do not present a tripping hazard.
- Never carry out technical changes to the unit.
- Only carry out work on the unit that is described in this manual. If problems cannot be overcome, please contact an authorised customer service point or, if in doubt, the manufacturer.
- Only use original spare parts and accessories for the unit.

INTENDED USE

Infiniti unit may only be used as specified in the following:

- For operation with clean water.
- Operate in accordance with instructions.

The following restrictions apply to the unit:

- Do not use in swimming ponds.
- Never use the unit with fluids other than water.
- Never run the unit without water.
- Do not use for commercial or industrial purposes.
- Do not use in conjunction with chemicals, foodstuff, easily flammable or explosive substances.
- Do not connect to the domestic water supply.

INFINTI i800 / i1200 / i2000

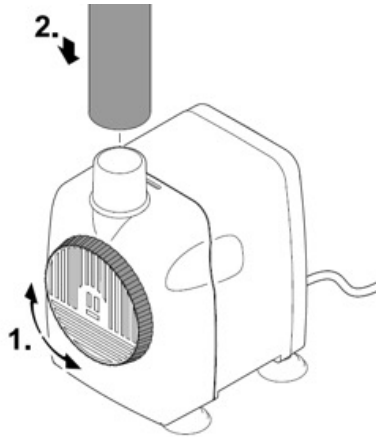
INSTRUCTIONS

INSTALLATION - i800 / i1200



WARNING

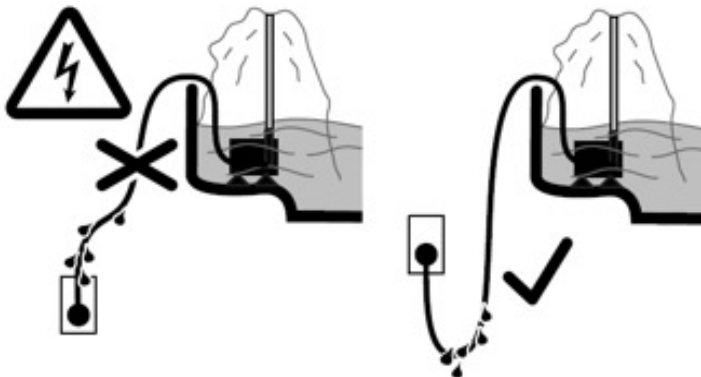
Death or serious injuries from hazardous electrical voltage due to operation of this unit in a swimming pond. Never operate this unit in a swimming pond.



SET THE FLOW RATE

1. Turning the socket clockwise: increases the flow rate.
2. Turning the socket counterclockwise: Decreases the flow rate.

FIT THE HOSE ONTO THE OUTLET



INSTALL THE PUMP FULL SUBMERGED

- Ensure that the maximum permissible submersion depth of 1m is not exceeded.
- Route the power cable so that it forms a loop below the power socket.

START UP

NOTE: *Never allow the pump to run dry. Otherwise the pump will be destroyed.*

- Ensure that the pump is always flooded during operation.
- Regularly check the water level.
- **SWITCHING ON:** Insert the power plug into the socket. The unit switches on immediately.
- **SWITCHING OFF:** Disconnect the power plug.

CLEANING INSTRUCTIONS (i800 / i1200)

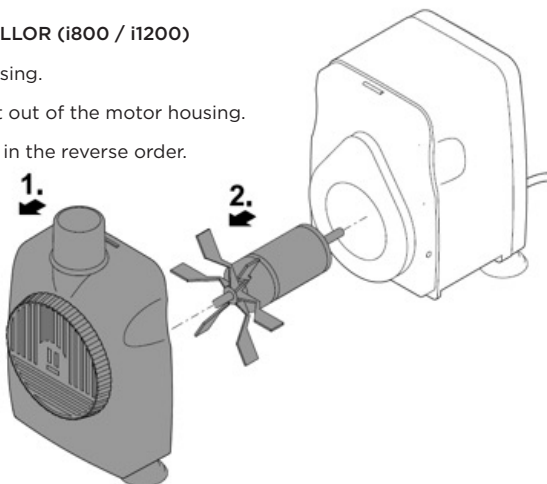
Begin by ensuring that the mains power supply is disconnected before attempting any maintenance or adjustment of the unit or the water body. Remove the unit from the water. Please clean regularly (at least once a month) to ensure strong water flow. Failure to maintain the unit will result in a burnt out motor and other damage.

If necessary, clean the unit with clean water using a soft brush.

- Do not use aggressive cleaning agents or chemical solutions as they could attack the housing or impair the function of the unit.
- Recommended cleaning agent for removing stubborn limescale deposits: Vinegar and chlorine-free household cleaning agent.
- After cleaning, thoroughly rinse all parts in clean water.

REPLACING THE IMPELLOR (i800 / i1200)

- Pull off the pump casing.
- Pull the impeller unit out of the motor housing.
- Assemble the pump in the reverse order.



INFINTI i800 / i1200 / i2000

INSTRUCTIONS

IMPORTANT NOTES

HOW TO CORRECTLY STORE THE UNIT:

- Thoroughly clean the unit, check it for damage and replace any damaged parts.
- Protect electrical connections from moisture and dirt.
- Store the pump submerged and in a frost-free environment. (The unit is not frost-proof and has to be removed and put into storage if minus temperatures are expected).
- Protect open plug connections from moisture and dirt.

WEAR PARTS

- Impellor

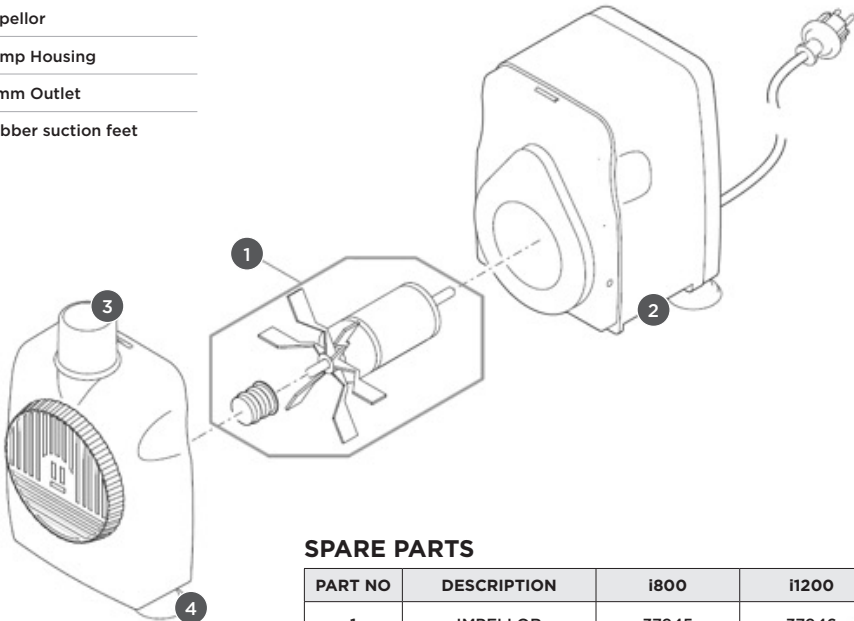
EXPLODED VIEW



IMPORTANT

These accessories and attachments are recommended for use with your PondMAX product specified in this manual. The use of any other accessories or attachments might present a risk of injury to persons. Only use the accessory or attachment for its stated purpose.

1. Impellor
2. Pump Housing
3. 17mm Outlet
4. Rubber suction feet



SPARE PARTS

PART NO	DESCRIPTION	i800	i1200
1	IMPELLOR	37945	37946

TROUBLESHOOTING

Problem	Reason	Solution
THE UNIT DOES NOT START UP	No mains voltage	Check the mains voltage
	Impeller unit blocked	Clean
INSUFFICIENT FOUNTAIN HEIGHT	Regulator closed too far	Adjust regulator
	Filter housing or impeller unit soiled; hose blocked	Clean
	Hose defective	Replace
	Hose kinked	Route hose in a straight line
	Impellor unit worn	Replace impeller unit
UNIT SWITCHES OFF AFTER A SHORT RUNNING PERIOD (ONLY INFINITI i1200)	Filter clogged; unit switches off in the event of overload	Clean. The unit will switch on again automatically as soon as it has cooled down.
	Water temperature too high, unit switches off in the event of overload	Adhere to max. permissible water temperature (tech. specifications). The unit will switch on again automatically as soon as it has cooled down.

INFINTI i800 / i1200 / i2000

INSTRUCTIONS

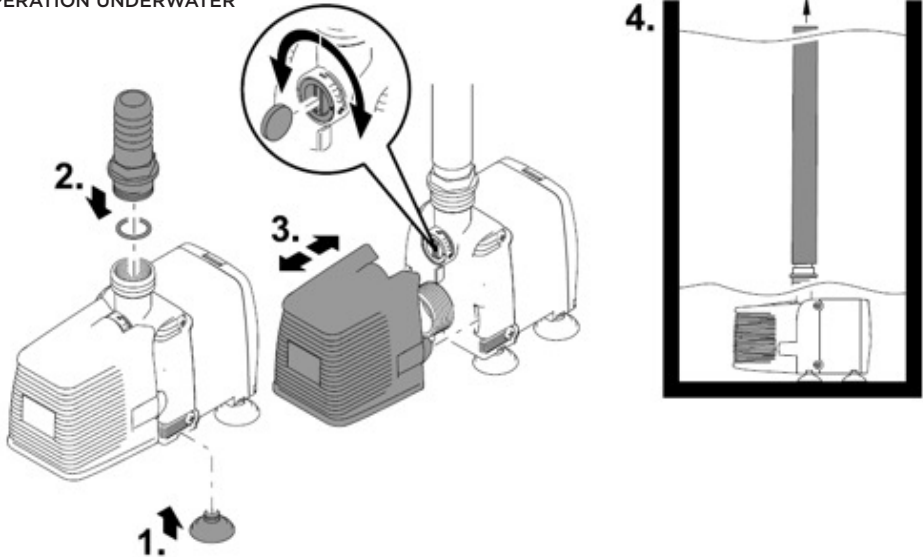
INSTALLATION - i2000



WARNING

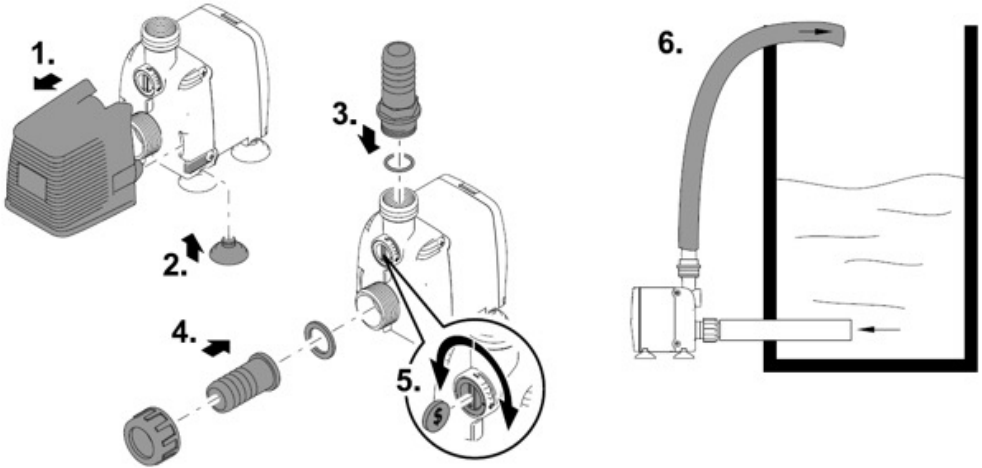
Death or serious injuries from hazardous electrical voltage due to operation of this unit in a swimming pond. Never operate this unit in a swimming pond.

OPERATION UNDERWATER



1. Fasten the suction cups to the pump.
2. Screw the hose connector with o'ring onto the outlet and hand tighten.
3. Set the flow rate (pump delivery rate).
 - The regulator for setting the flow rate is located at the back of the filter housing.
 - Turning the regulator clockwise: Increases the flow rate.
 - Turning the regulator counterclockwise: Decreases the flow.
4. Fit the hose to the hose connector and install the pump underwater on a firm surface in a horizontal position.
 - The pump can be fixed to a smooth, clean surface with the suction cups.

OPERATION OUT OF THE WATER



1. Remove the filter housing.
 - The filter housing is not required for operation out of the water.
2. Fasten the suction cups to the pump.
3. Screw the hose connector with o'ring onto the outlet and hand tighten.
4. Screw the hose connector with flat seal and union nut onto the outlet and hand tighten.
5. Set the flow rate (pump delivery rate).
 - Turning the regulator clockwise: Increases the flow rate.
 - Turning the regulator counterclockwise: Decreases the flow rate.
6. Fit one hose to the hose connector at the inlet and one to the hose connector at the outlet and install the pump on a firm surface in a horizontal position.
 - To prevent air from being taken in, ensure that the pump and the hose to the inlet always remain below the water level.
 - The pump can be fixed to a smooth, clean surface with the suction cups.

START-UP

CAUTION: Risk of injury due to fast rotating components. A temperature monitor switches the unit off automatically in the event of overload and on again once it has cooled down. Make sure you isolate the unit before starting any work.

- **NOTE:** Never allow the pump to run dry. Otherwise, the pump will be destroyed. Ensure that the pump is always flooded during operation. Regularly check the water level.
- **SWITCHING ON:** INSERT THE POWER PLUG INTO THE SOCKET. The unit switches on immediately.
- **SWITCHING OFF:** DISCONNECT THE POWER PLUG.

INFINTI i800 / i1200 / i2000

INSTRUCTIONS

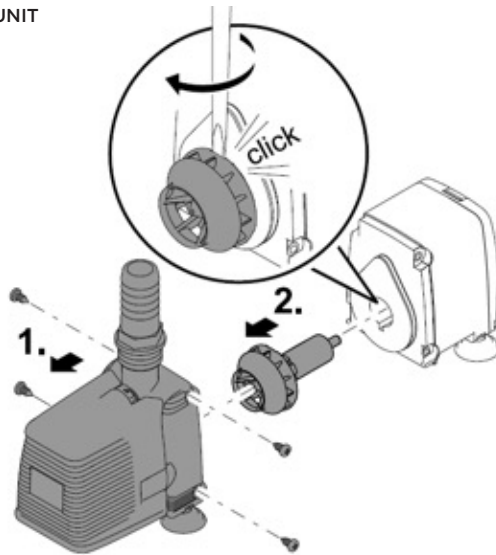
CLEANING INSTRUCTIONS (i2000)

Begin by ensuring that the mains power supply is disconnected before attempting any maintenance or adjustment of the unit or the water body. Remove the unit from the water. Please clean regularly (at least once a month) to ensure strong water flow. Failure to maintain the unit will result in a burnt out motor and other damage.

If necessary, clean the unit with clean water using a soft brush.

- Recommended cleaning agent for removing stubborn limescale deposits.
- Do not use aggressive cleaning agents or chemical solutions as they could attack the housing or impair the function of the unit.

REPLACING THE IMPELLOR UNIT



1. Remove four screws and taking off the pump casing.
2. Use a wide-blade screwdriver to lever the impeller unit out of its position in the motor housing.
 - Insert the screwdriver blade into the groove between the impeller unit and motor housing, and firmly turn the screwdriver to dislodge the impeller from its position.
 - Proceed carefully so as not to damage the motor housing or O-ring.
3. Assemble the pump in the reverse order.
 - Firmly push the impeller unit into position in the motor housing.

REPAIR

A damaged unit cannot be repaired and must be put out of operation. Dispose of the unit in accordance with the regulations.

IMPORTANT NOTES

HOW TO CORRECTLY STORE THE UNIT:

- Thoroughly clean the unit, check it for damage and replace any damaged parts.
- Protect electrical connections from moisture and dirt.
- Store the pump submerged and in a frost-free environment. (The unit is not frost-proof and has to be removed and put into storage if minus temperatures are expected).
- Protect open plug connections from moisture and dirt.

WEAR PARTS

- Impellor

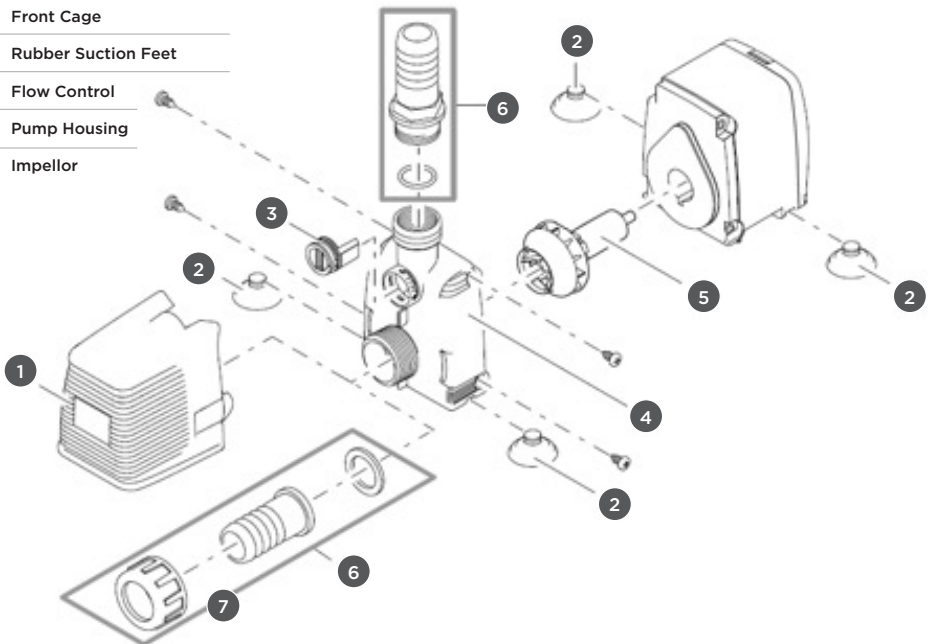
EXPLODED VIEW



IMPORTANT

These accessories and attachments are recommended for use with your PondMAX product specified in this manual. The use of any other accessories or attachments might present a risk of injury to persons. Only use the accessory or attachment for its stated purpose.

1. Front Cage
2. Rubber Suction Feet
3. Flow Control
4. Pump Housing
5. Impellor



INFINTI i800 / i1200 / i2000 INSTRUCTIONS

SPARE PARTS

PART NO	DESCRIPTION	i2000
6	19MM HOSE CONNECTOR	22449
5	IMPELLOR	37949
4	SPARE PUMP HOUSING	37948
1	FRONT CAGE	23198



**FOR THE COMPLETE
PONDMAX RANGE**

GO TO
PONDMAX.COM.AU



PONDMAX AUSTRALIA





LIMITED WARRANTY

- **IMPORTANT: IF USED IN MARINE OR SALTWATER, DUE TO THE HARSH CONDITIONS THE WARRANTY IS VOID.**
- This product comes with a warranty against defects and motor failure (Warranty). The benefits provided in this Warranty are in addition to other rights and remedies available to you under the Australia Consumer Law. The Warranty is provided to the original purchaser of the product on the following terms:
- The Warranty is given by Aquatec Equipment Pty Ltd trading as Aquatec Equipment Pty Ltd, 37 Edison Circuit, Forrestdale WA 6112. Tel 1300 552 202 or email sales@aquatecequipment.com.
- To make a claim under the Warranty you must return the faulty product to the place of purchase with a valid receipt or proof of purchase.
- **A Warranty claim must be made within 5 years of the date of purchase.**
- If your claim complies with the above terms and the product is not an exhaustible Item and no voiding events have occurred, we will (at our sole discretion):
 - repair the product, if possible; or
 - provide a replacement product; or
 - if a replacement product is not available, provide a refund for the purchase price paid.
- You will bear the cost associated with claiming under the Warranty such as the cost of transportation and delivery of the product to and from the place of purchase.
- The product contains an Impellor. This item is exhaustible (Exhaustible Items) and is not covered under the Warranty.
- The Warranty will be void if any of the following events occur, as determined by us, at our sole discretion (Voiding Events):
 - any tampering/removal of warranty/identification labels or electrical components is evident;
 - the defect has arisen due to: an accident, incorrect or inadequate installation, misuse or abuse of the product (including improper maintenance and service), excessive wear and tear, not following manufacturer's guidelines/instructions, or the product has been used in a manner contrary to the purpose or suitability of the product;
 - the product has been modified without our authority;
 - the defect is caused by power surges/spikes brownouts.
- Loss of livestock, damage to property or personal injury caused by the improper use or abuse of the product will not be covered and the manufacturer excludes all liability for such events, to the extent permitted by law.
- In addition to the Warranty set out above, our goods come with guarantees that cannot be excluded under the Australian Consumer Law. You are entitled to a replacement or refund for a major failure and for compensation for any other reasonably foreseeable loss or damage. You are also entitled to have the goods repaired or replaced if the goods fail to be of acceptable quality and the failure does not amount to a major failure.

Please consult your retailer for quality original PondMAX replacement parts.

Visit www.pondmax.com.au for your nearest stockists.

E.&O.E.